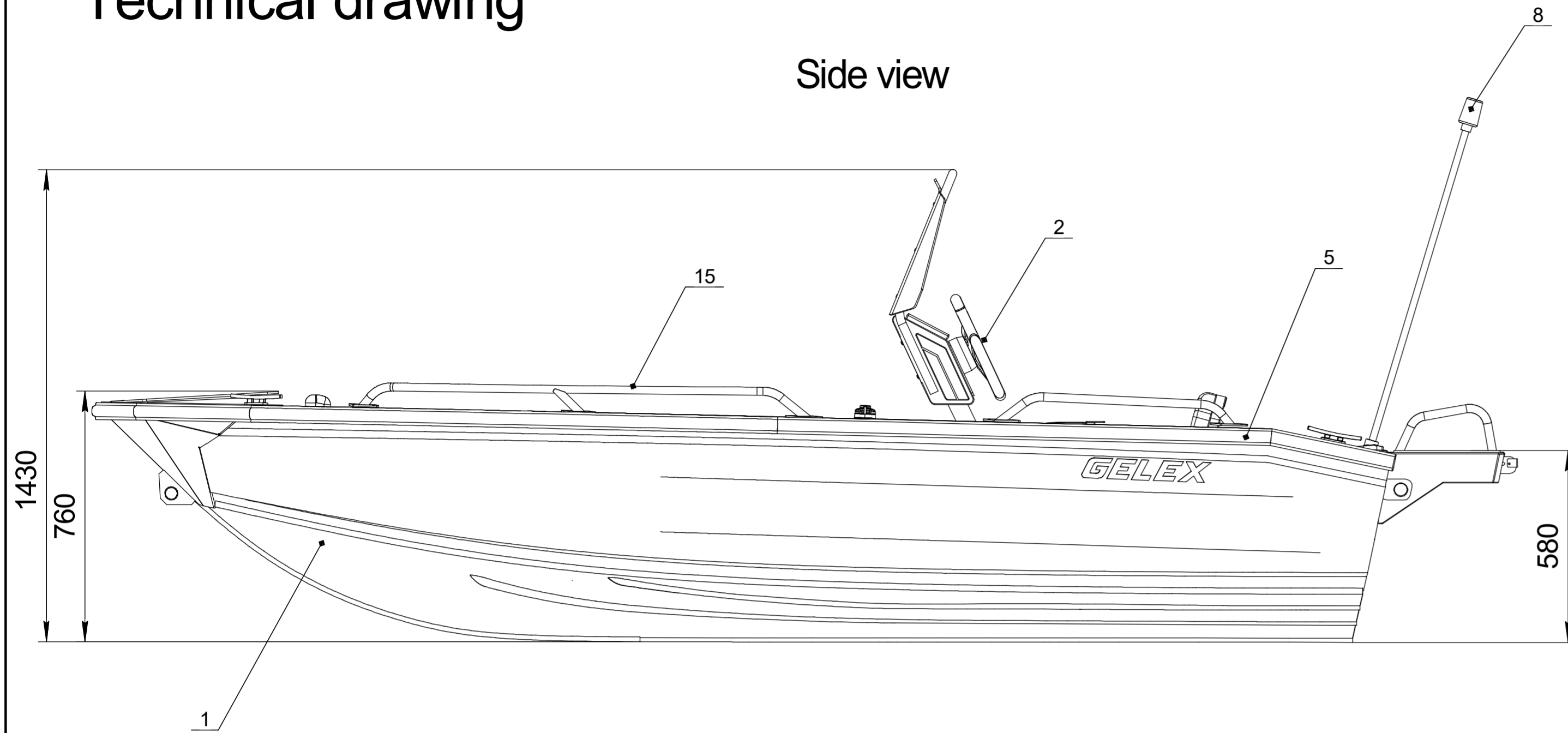


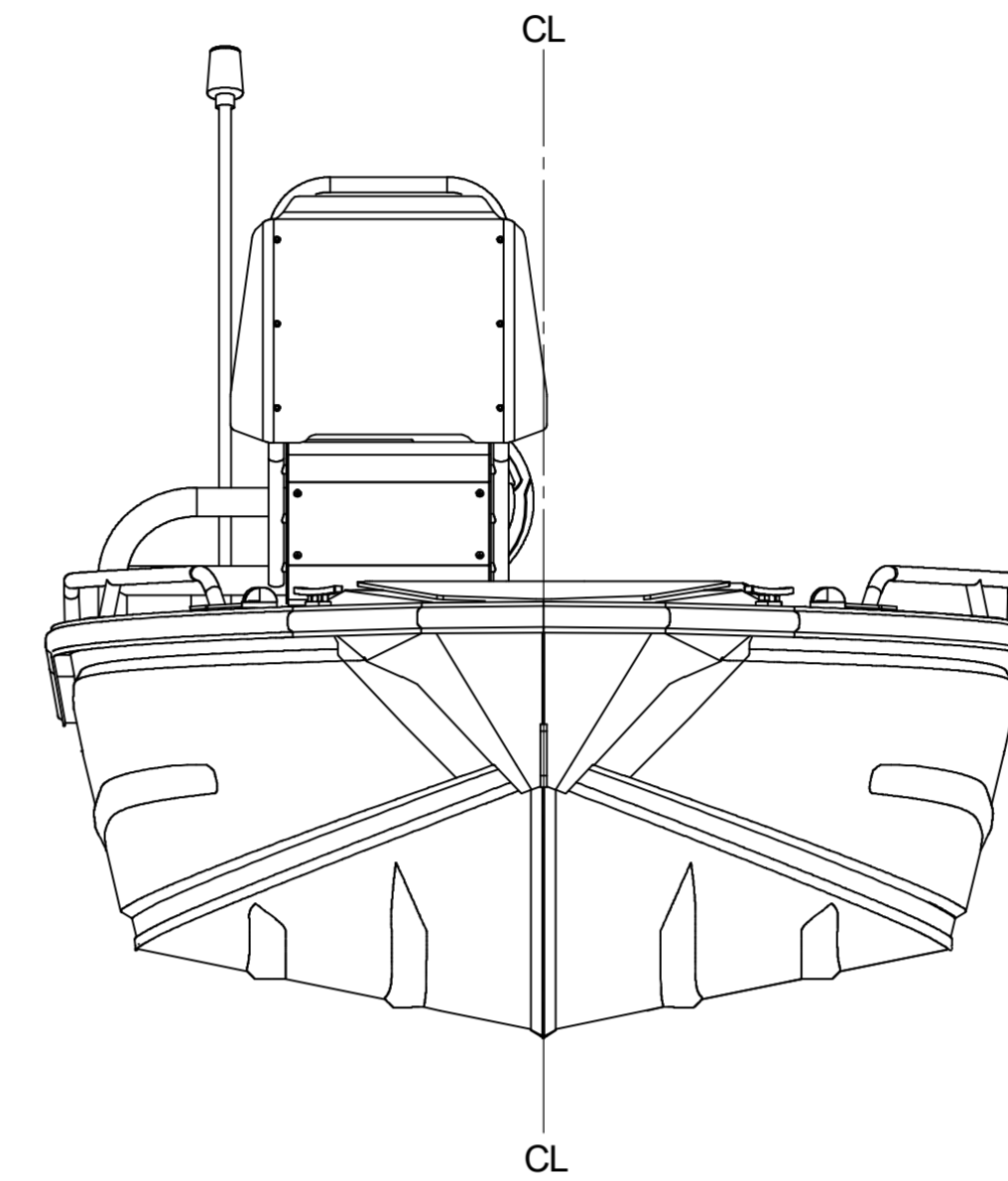
Aluminum boat GELEX G4

Technical drawing

Side view



Bow view



Builder's plate

GELEX
ALUMINUM BOATS

Model +

+ + + kg lbs

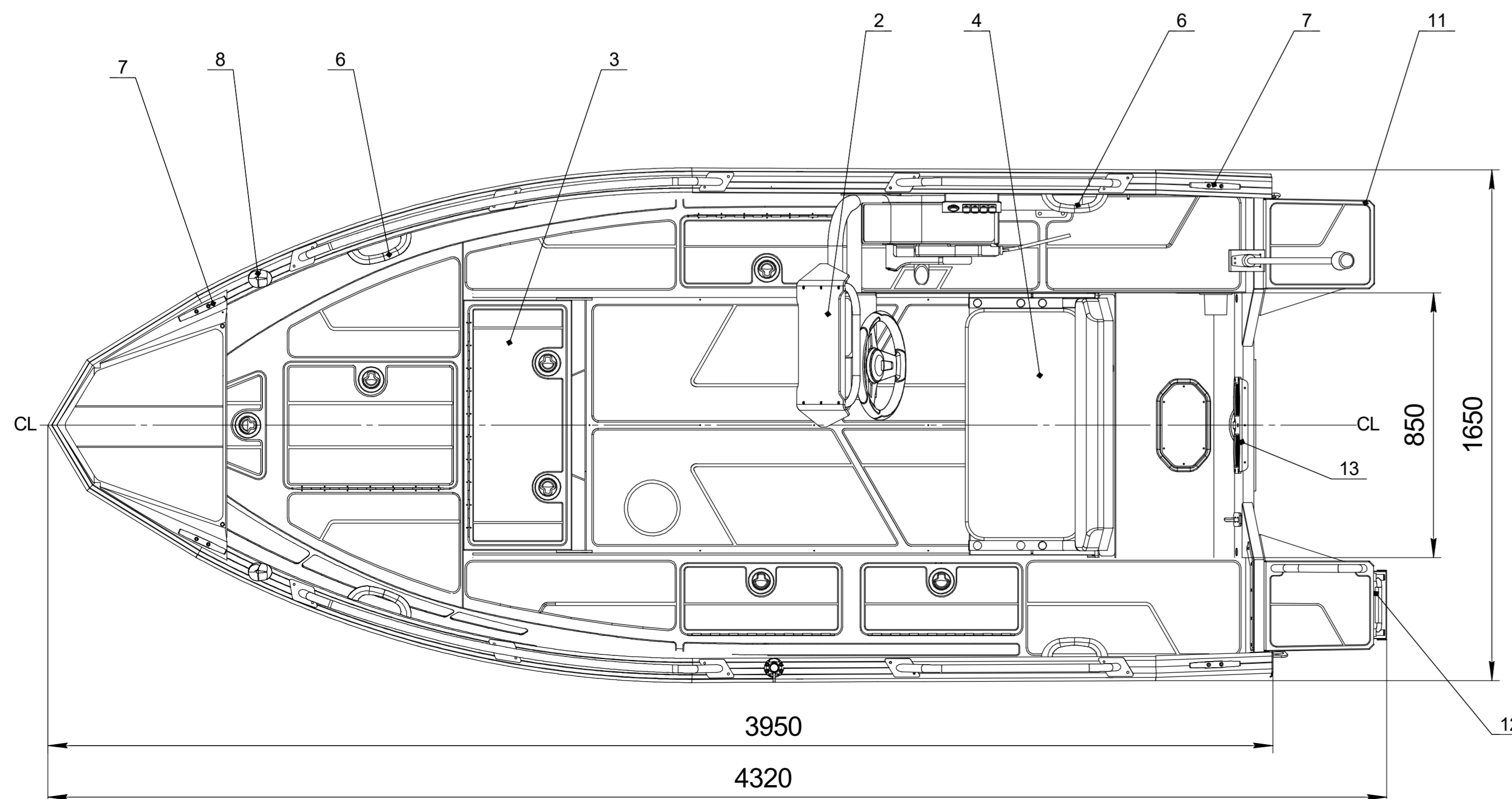
kW HP Cat.

kg lbs DIRECTIVE 2013/53/EU

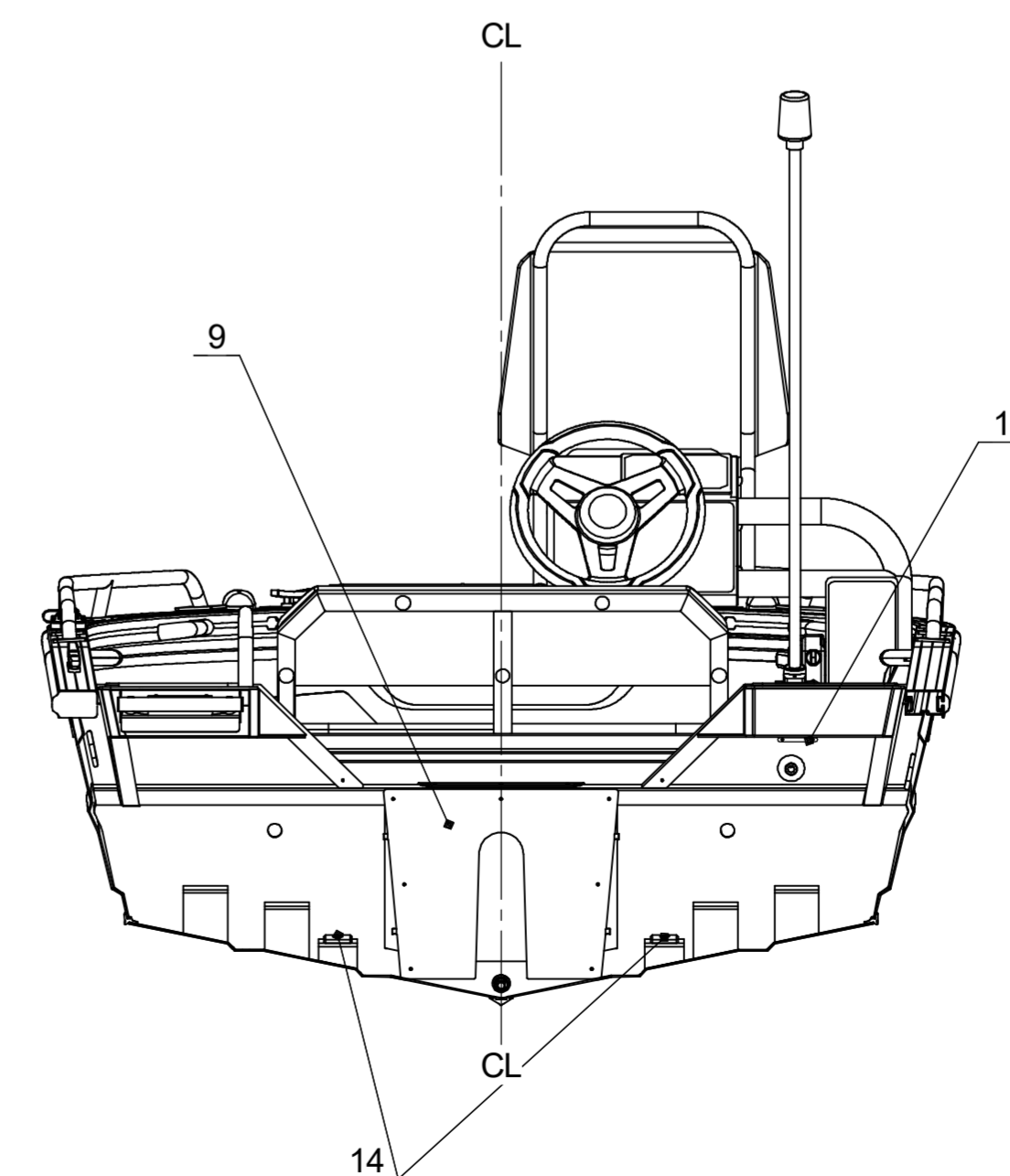
MADE IN UKRAINE

CALIBR PROFI LLC
545, Velyka Dnivska Str., Dnipro, UKRAINE

Top view



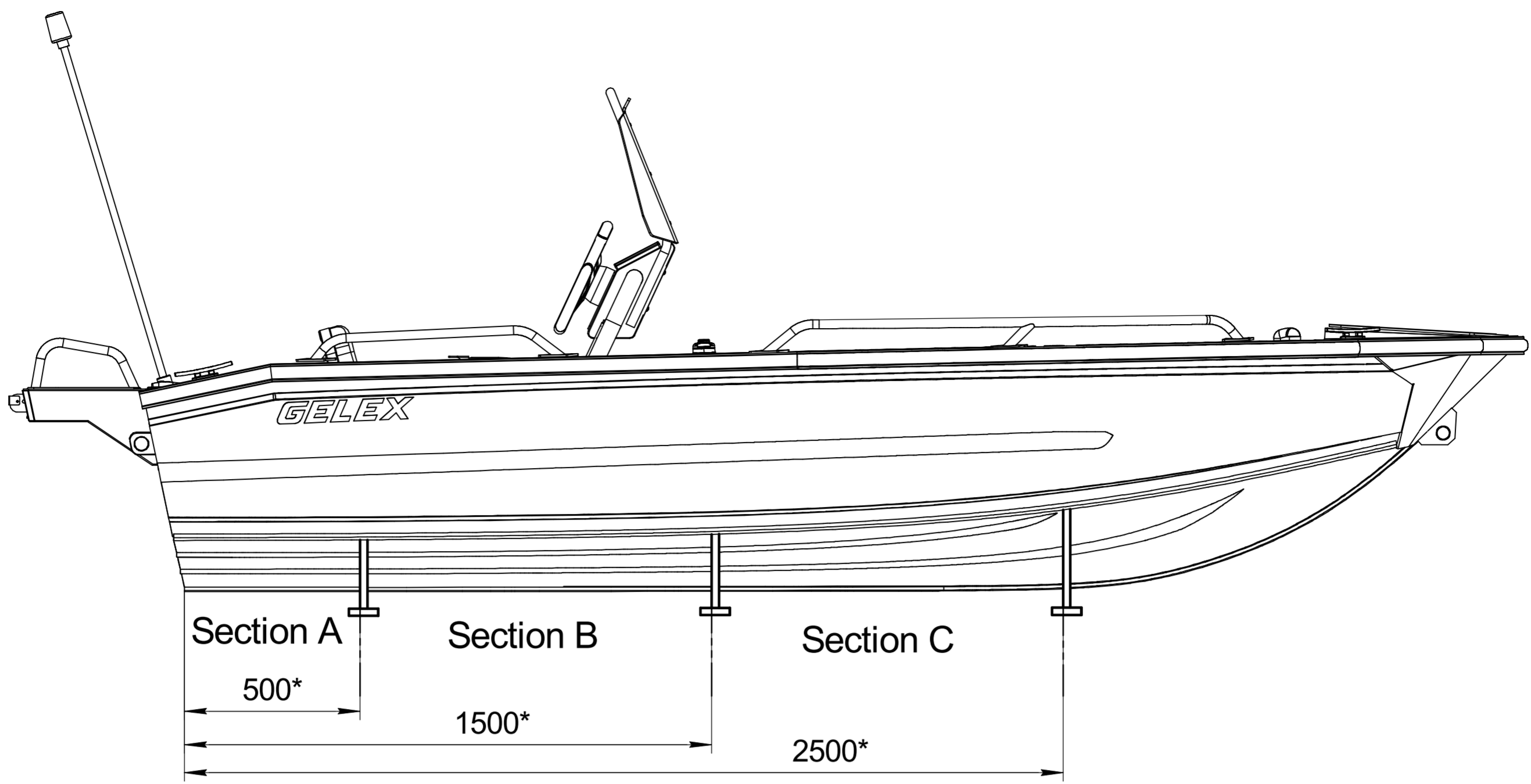
Stern view



Boat specification

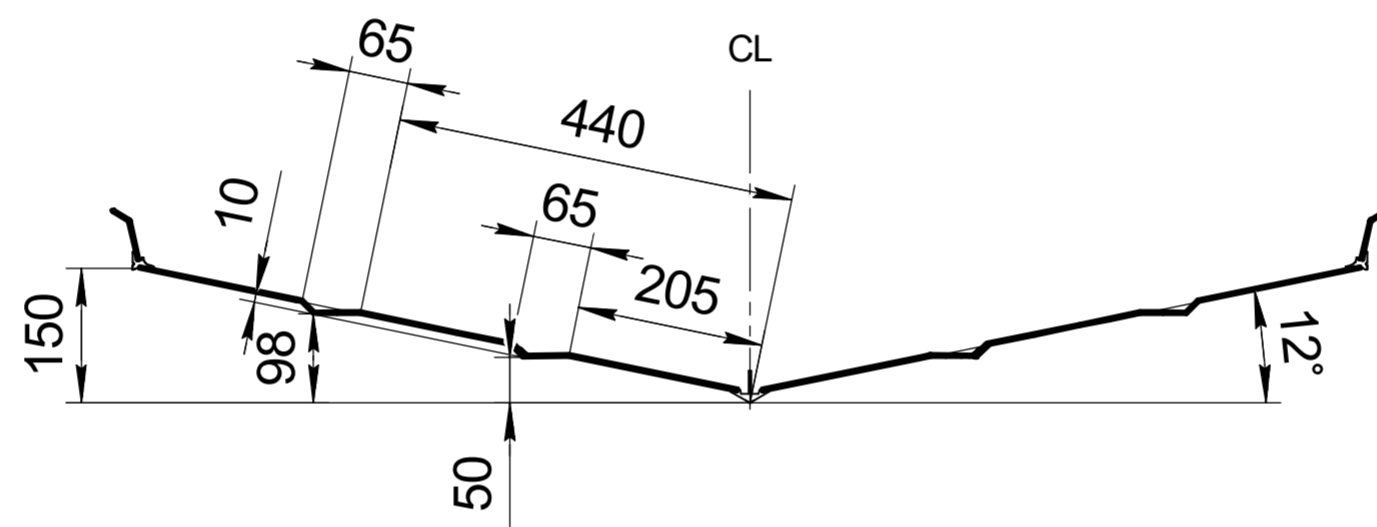
Item	Item No	Description	Q-ty	Note
1		Aluminium hull	1	
2		Steering console GC-01	1	
3		Aerator	1	
4		Passenger seat GS-03	1	
5		Rubbing strake	1	
6		Handle	4	
7		Mooring cleat	4	
8		Navigation light	3	
9		Motor plate extermal	1	
10		CIN plate	1	
11		Crinolines	2	
12		Diving ladder	1	
13		Motor plate internal	1	
14		Anode	2	
15		Railing	4	

DRAWN	NAME	DATE	ITEM No:
CHECKED			TITLE:
ENG APPR.			<h1>GELEX G4</h1>
MFG APPR.			
Q.A.			SIZE
		DWG. NO.	REV
		SCALE: 1:10	WEIGHT:
		SHEET 1 OF 1	

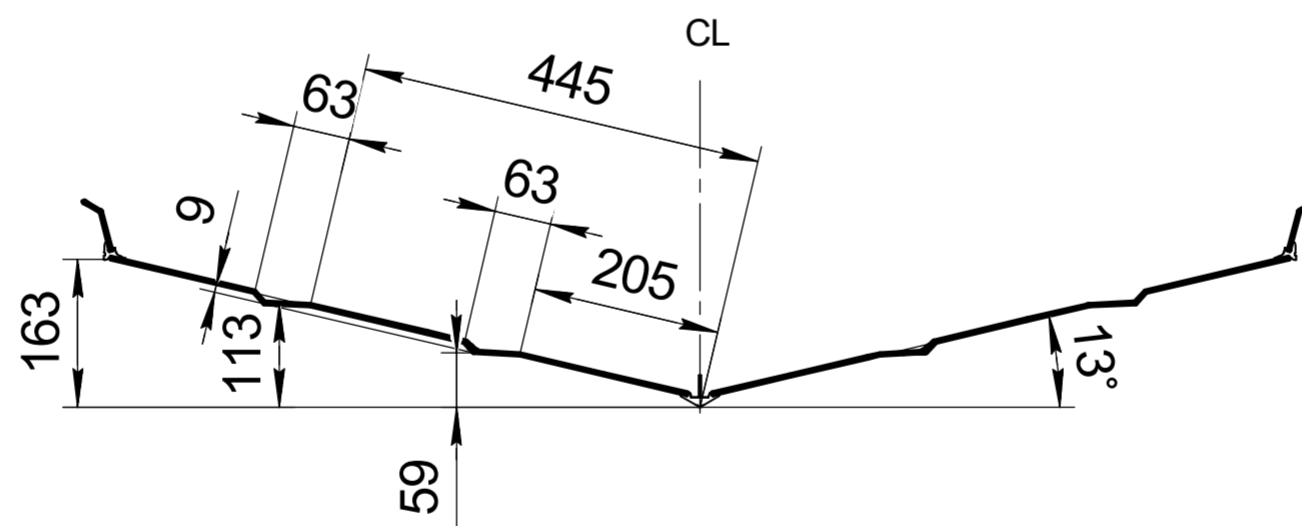


* Dimensions are from the rear edge of the bottom.

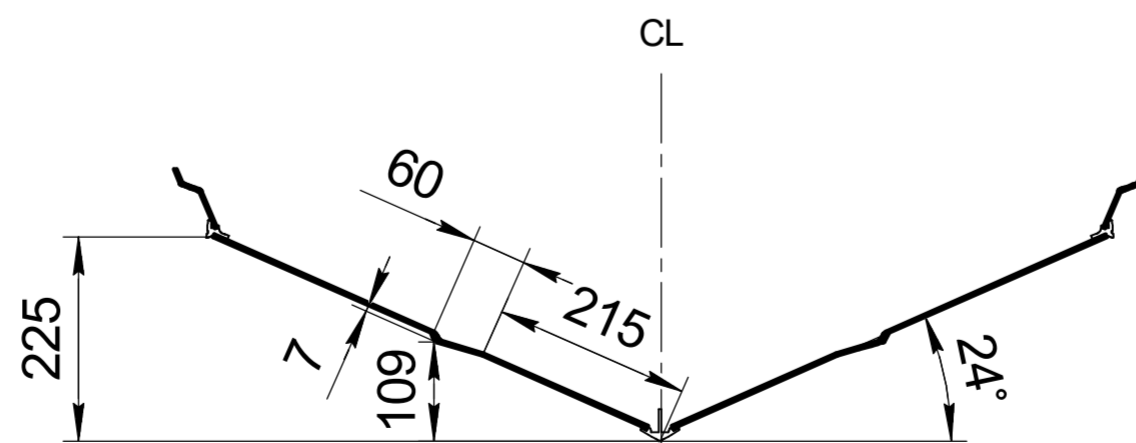
Section A



Section B



Section C



	NAME	DATE	ITEM No:
DRAWN			
CHECKED			TITLE:
ENG APPR.			GELEX G4 Hull sections for chocks design
MFG APPR.			
Q.A.			
SIZE		DWG. NO.	REV
SCALE: 1:10		WEIGHT:	SHEET 1 OF 1